

# 18.5" 1-Local / Remote Share Access Cat5 LCD KVM over IP Switch ( KHT-1808 / KHT-1816 / KHT-1832 )

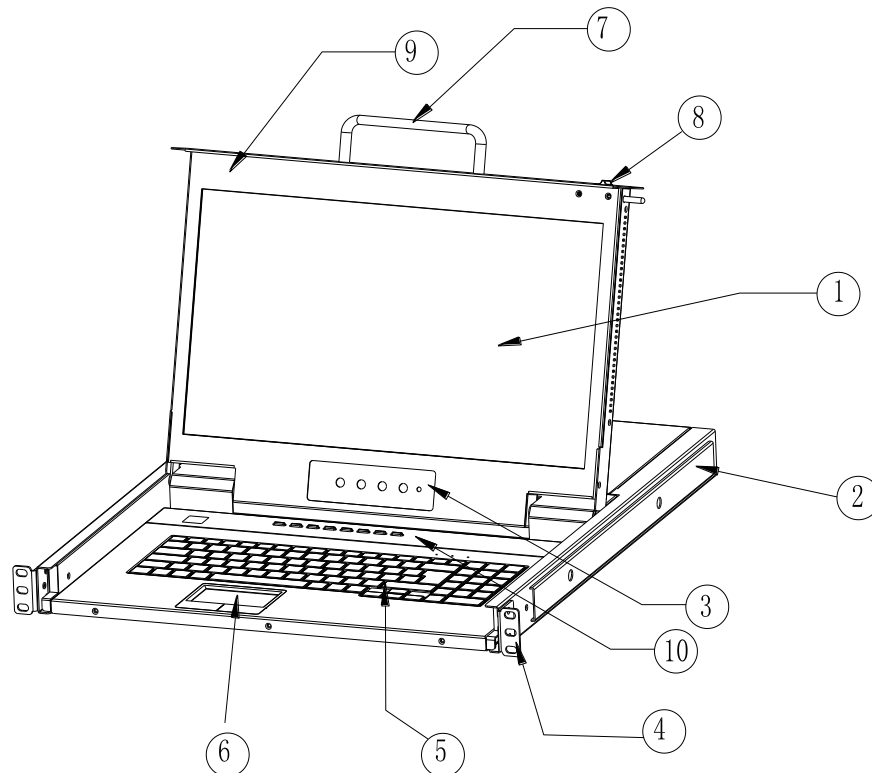


**Overview**

Featuring an integrated LCD monitor, keyboard, and touchpad in a 1U rack-mountable housing, the KHT-1808 / KHT-1816 / KHT-1832 LCD KVM over IP Switch is a control unit that allows secure access to 8/16/32 computers from a single KVM console.

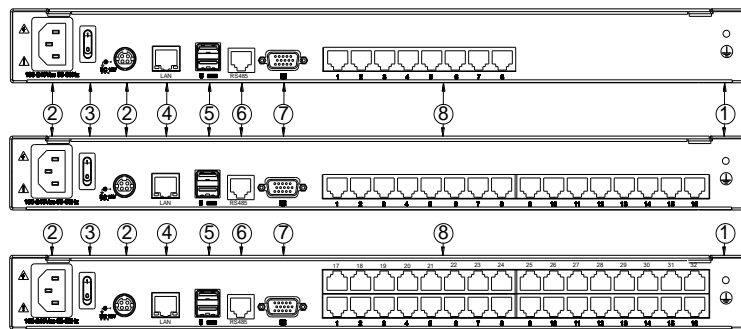
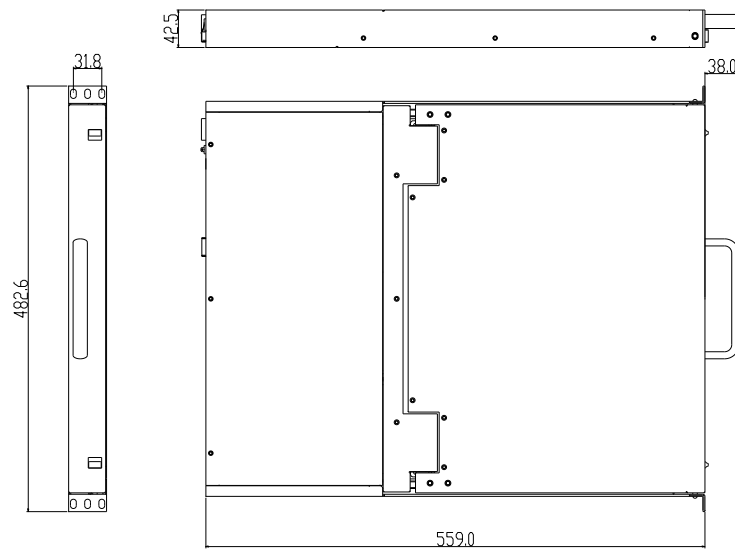
The KHT-1808 / KHT-1816 / KHT-1832 features IP-based connectivity that allows local and remote operators to monitor and access the computers. With TCP/IP communications protocol, the KHT-1808 / KHT-1816 / KHT-1832 can be accessed from any computer on the LAN, WAN or Internet.

It's easy to set up the KHT-1808 / KHT-1816 / KHT-1832, just plug the cable into the appropriate port, no software needed, no complicated installation procedures, and no compatibility issues. Connect computers with compact RJ-45 connectors and Cat 5e/6 cable, transmitting distance is up to 100m.



1 LCD Monitor	6 Touchpad
2 Rear Bracket Slot	7 Handle
3 Display Menu Buttons	8 Release Switch
4 Mounting Bracket	9 Display Panel
5 Keyboard	10 Port Selection Buttons

Structure



1	Ground Connection Screw	5	USB Port
2	Power input(AC or DC)	6	RS485 Port
3	Power switch	7	Console Monitor Port
4	LAN port	8	Host Port

Features

Hardware Features

- 18.5" widescreen TFT LCD monitor with highlight, high definition and high resolution
- Rack-mountable in 1U system rack
- Full size keyboard with integrated number pad
- Integrated trackball – eliminates the need for a separate, external mouse

Local Console

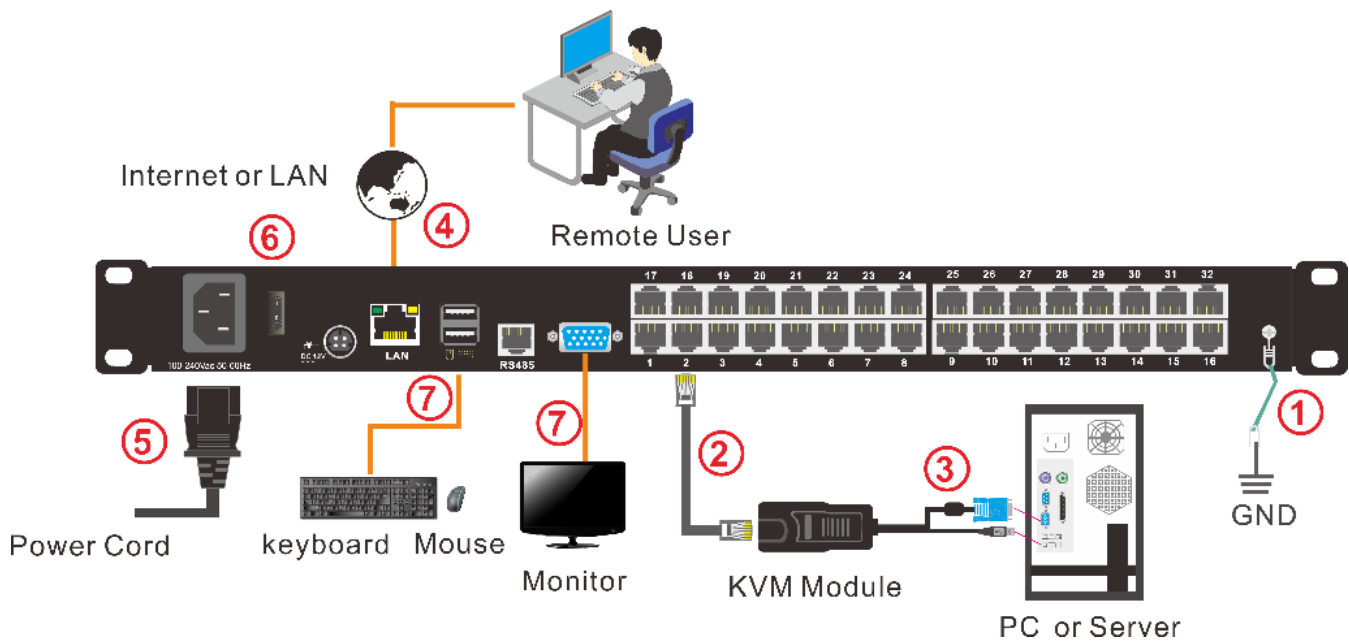
- Control up to 8 / 16 / 32 computers
- Support 1 local user and 1 remote user, port share mode allows local and remote users to gain access to a server simultaneously
- Easy-to-use switching by browser-based UI interface, hotkeys and pushbuttons
- Support servers with VGA/DVI/HDMI port
- Multiplatform client support (Windows, Linux, Unix, Mac, Solaris (Sun), Redhat, Ubuntu)
- Local Console, Browser, and AP GUIs offer a unified Multilanguage interface
- Local resolution is up to 1366 x 768
- Support mouse synchronization mode – automatically synchronizes the local and remote mouse movements
- Video synchronization with local console – EDID information for local console display can be stored in the host module for video resolution optimization

- Keyboard and mouse emulation to ensure the normal booting
- Auto scan feature for monitoring user-selected computer
- Hot pluggable – add or remove computers without having to power down the switch

### Remote Console

- Adaptive 10 / 100 / 1000 Mbps network
- WEB browser-based remote management
- Resolution is up to 1920 x 1080
- BIOS-level access
- Video quality and video tolerance can be adjusted to optimize data transfer speed, data transfer speed is up to 30 FPS
- Full screen or scalable video display
- Remote users and local users can control the same server/computer synchronously
- Support AES / DES / 3DES encryption
- Support audit function – allows the administrator to audit the device through the system log and operation log
- Exit Macros support
- Configurable user and group permissions for server access and control
- Message Board for communication among remote users
- Support firmware upgrade

### Connection Diagram



**Specifications**

Model		KHT-1808	KHT-1816	KHT-1832
Server Connection	Direct	8	16	32
	Max	8	16	32
Port Selection		Push button, UI, Web		
LCD Monitor	Mode	WXGA TFT		
	View Area	18.5		
	Optimum Resolution	1366x768@60Hz		
	Display Color	16.7 M		
	Brightness	250cd/m <sup>2</sup> (T y p)		
	Contrast Ratio	1000 : 1 (T y p)		
	Pixel Pitch(mm)	0.300(H) × 0.300(W)		
Mouse	X/Y Resolution	>1000 points /inch,( 40 points/mm )		
	Roll Wheel	Supports scroll wheel function		
Keyboard		99 keys (82 keys main keyboard +17 independent small numeric keyboard)		
Remote	Remote Control	KVM control ( ActiveX control )		
	Management Way	Web		
	Security	DES encryption		
	Resolution	1920x1080@60Hz		
Input Power		100V – 240Vac, 50 ~ 60Hz, <1.5A		
Power Consumption		15W	16W	20W
Operating Temperature		0 – 40°C		
Storage Temperature		-20 – 60°C		
Humidity		0 – 80% RH, non-condensing		
Net Weight		11.5 kg	11.5kg	11.7kg
Product Dimension(W x D x H)		448mmx560mmx42.5mm		
Package Dimension (W x D x H)		765mmx615mmx185mm		